

Product Information Sheet

Cig-Arrête Alarm Kit (Part No CSA-KIT)



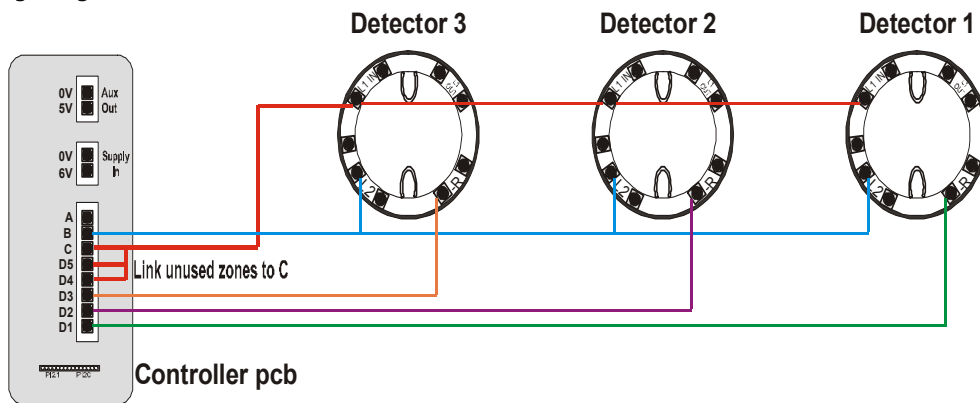
Description

A complete, comprehensive Cig-Arrête System Kit to ensure that your premises are protected to the level you require.

Your Cig-Arrête Kit comprises:

- 1 x Cig-Arrête Standard Controller (CSA-S5B)
- 3 x Cig-Arrête Sensor Units (CSA-SGA)
- 1 x Anti-Tamper Screwdriver (CSA-ATS)
- 1 x Detector Test Gas (CSA-DTG)

Wiring Diagram

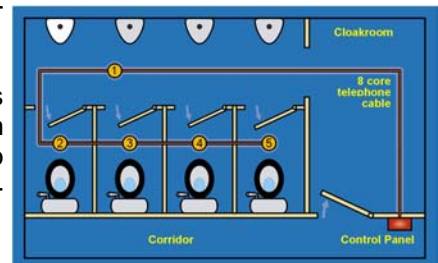


System Installation Guide

Please ensure that you install your controller in a supervised area, where the audible and visual signals can be noted and actioned. Please note that there will be no alarm raised in the protected area so that supervisors can monitor the premises covertly. Use a security type 8 core cable.

Install your Cig-Arrête sensor units in line with the diagram opposite. Should the toilet or restroom cubicles fall short of the ceiling height, then one sensor over two cubicles will be sufficient to protect the area.

Once you have installed your sensors, lock each sensor into its base with the Anti-Tamper Screwdriver to ensure that the system cannot be abused or vandalised. Insert 4 x 'D' cell batteries into the controller and your Cig-Arrête system is now operating to reduce smoking in the protected area.



Innovation for a new tomorrow

Radal Technology Ltd
Unit 1 Webber Court
Billington Road
Burnley
Lancashire BB11 5UB
England

Issue No: CSA/KIT 031202

Phone: +44 (0)1282 463 770
Fax: +44 (0)1282 463 771
Email: info@radaltechnology.com

